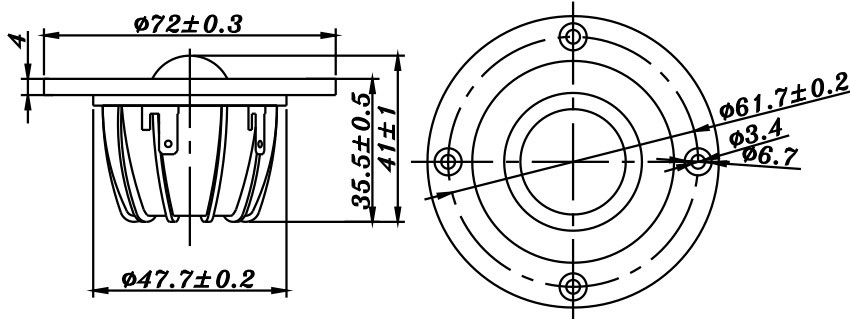


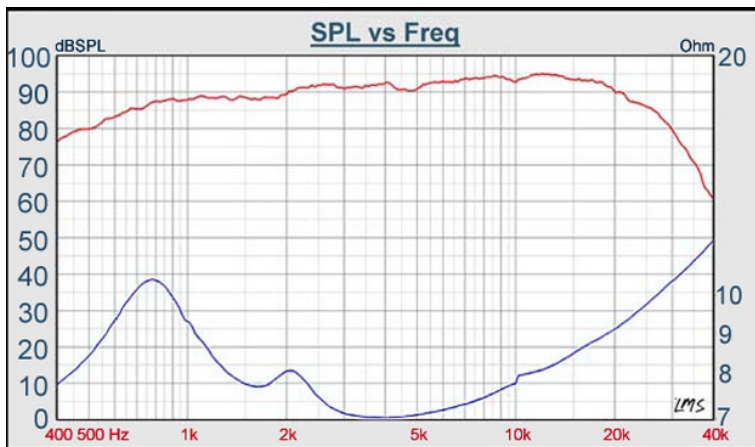
# TW SERIES

# 28-1177SB



- SOFT FABRIC DOME DIAPHRAGM COATING WITH HIGH LOSS MATERIAL
- FERROFLUID COOLED
- DAMP WOOL IN CAVITY OF POLE PIECE
- ABS FRONT PANEL
- NEODYMIUM DESIGN

## 28mm FABRIC DOME/ NEODYMIUM TWEETER



|                       |             |
|-----------------------|-------------|
| DIAPHRAGM MTL         | Fabric      |
| SURROUND MTL          | N/A         |
| NOMINAL IMPEDANCE     | 8 $\Omega$  |
| DCR IMPEDANCE         | 6 $\Omega$  |
| SENSITIVITY 1W/1m     | 90 dB       |
| FREQUENCY RESPONSE    | 775 -25K Hz |
| FREE AIR RESONANCE    | 775 Hz      |
| VOICE COIL DIAMETER   | 28 mm       |
| AIR GAP HEIGHT        | 2 mm        |
| RATED POWER INPUT     | 12 W        |
| MAXIMUM POWER INPUT   | 100 W       |
| FORCE FACTOR, BL      | N/A         |
| MAGNET WEIGHT         | Neodymium   |
| MOVING MASS           | N/A         |
| FERROFLUID ENHANCED   | Yes         |
| SUSPENSION COMPLIANCE | N/A         |
| EFFECTIVE PISTON AREA | N/A         |
| Levc                  | N/A         |
| Zo                    | N/A         |
| X-max                 | N/A         |
| Vas                   | N/A         |
| Qts                   | N/A         |
| Qms                   | N/A         |
| Qes                   | N/A         |

VOICE: 886.2.26570282 FAX: 886.2.26580166  
E-MAIL: info@tb-speaker.com6