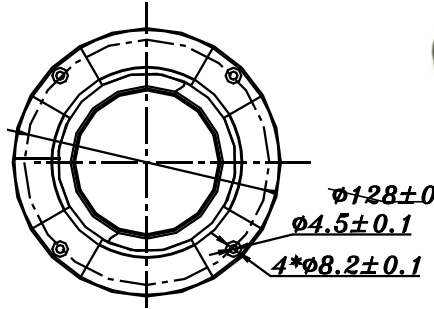
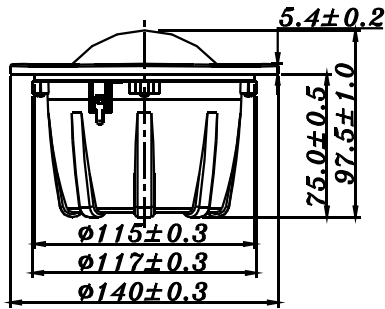


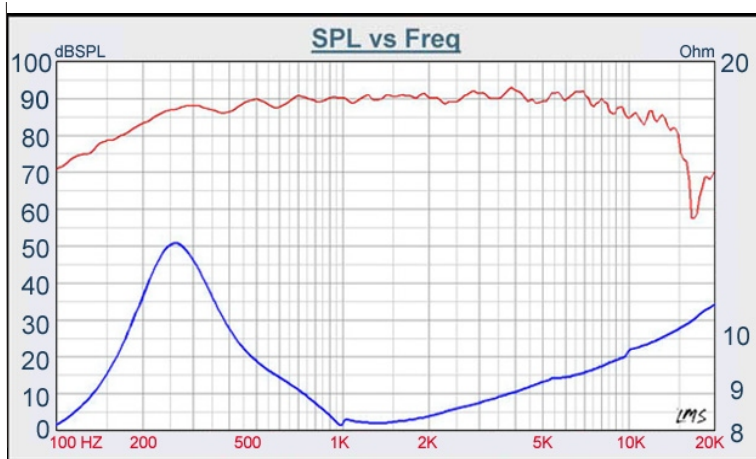
M SERIES

75-1558SE



- 3" VC, HIGH DAMPING SOFT DOME DIAPHRAGM
- SHORT RING AND BACK CHAMBER DESIGN, Fo OF 260Hz
- LOW 2nd AND 3rd DISTORTION (LOW THD)
- NEODYMIUM MAGNET, SPL OF 90dB
- FREQUENCY RESPONSE OF Fo ~ 8KHz
- FERROFLUID COOLED

**75mm SOFT DOME
MIDRANGE**



DIAPHRAGM MTL	Fabric
SURROUND MTL	N/A
NOMINAL IMPEDANCE	8 Ω
DCR IMPEDANCE	6.5 Ω
SENSITIVITY 1W/1M	90 dB
FREQUENCY RESPONSE	260Hz-8K Hz
FREE AIR RESONANCE	260 Hz
VOICE COIL DIAMETER	75.5 mm
AIR GAP HEIGHT	6 mm
RATED POWER INPUT	25 W
MAXIMUM POWER INPUT	200 W
FORCE FACTOR, BL	N/A
MAGNET WEIGHT (oz)	Neodymium
MOVING MASS	N/A
FERROFLUID ENHANCED	Yes
SUSPENSION COMPLIANCE	N/A
EFFECTIVE PISTON AREA	N/A
Levc	0.012 mH
Zo	12.3 ohm
Xmax	1.45mm
Vas	N/A
Qts	N/A
Qms	N/A
Qes	N/A



VOICE: 886.2.26570282 FAX: 886.2.26580166
E-MAIL: info@tb-speaker.com