

Alpair 10.2

Generation 2 full-range emitter

Gold cone model



This Alpair 10 is the latest model in a development line designed to extend the performance of mid-sized Markaudio full-range emitters. Measured performance is extended. Vas increases from 21 to 28 litres. F_0 is now 36Hz, 4Hz lower than the old model. Total Q increases to 0.33 making this new Alpair 10 usable in larger audio applications.

This driver uses an all-new Multi-form cone design and U cap with a new more efficient profiles giving improved high range performance. Additional features include a new advanced Nomex super-light rear suspension (spider) and a special aluminium rectangle wire wound coil, both reduce the mass of the power-train. The Alpair 10's frame has a new mix of polymers for the frame, making it 10% stiffer than the old model. New connector sets allow for remote soldering of cables, installation is easy.



Alpair 10.2

T/S date LMS V4 Anechoic:

Revc= 7.200 Ohm

Fo= 35.386 Hz

Sd= 88.250 cm²

Vas= 28.119 Ltr

Cms= 2.543m M/N

Mmd= 7.480 g

Mms= 7.956 g

BL= 5.606 T·M

Qms= 2.530

Qes= 0.41

Qts= 0.35

Levc= 93.626u H

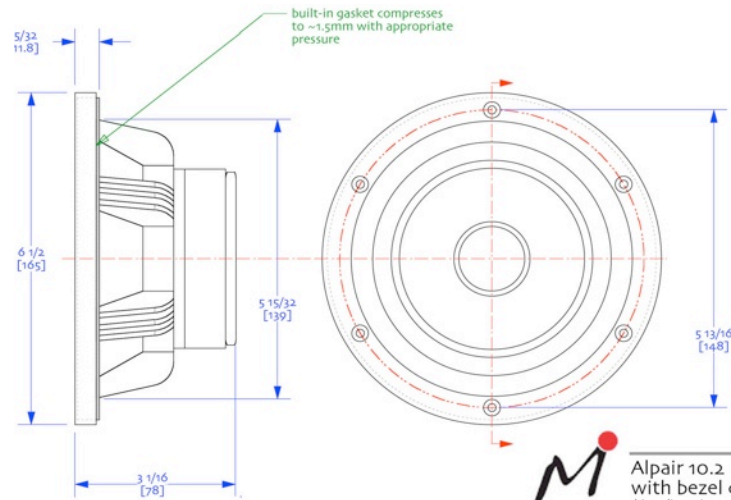
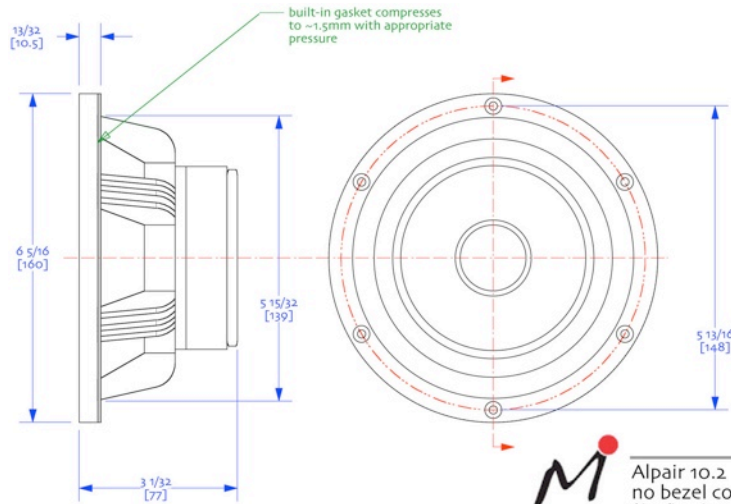
No= 0.297 %

SPLo= 87 dB

X max= 8.5-mm (1 way)

Power = 35 watts nom. 70 Max

Coil = 25-mm alu body with rectangle copper winding.



Small to medium sized speakers are usually lower power designs. The power rating is given in the technical data for each audio driver. For a reliable long service life, please operate your new speakers with care. For the first 100 hours, operate them at very low volumes. After this period, gradually increase the volume to a normal listening level. If you see the cone of the speakers making large movements, immediately turn the volume down. This will protect the speaker and your human hearing from damage. Factory mechanical defects for a period of 1 year. Excessive hard use (over-driving) and other damage caused during customer use is excluded from our warranty.

