



**PRT-8
PHENOLIC RING
TWEETER 8 OHM**

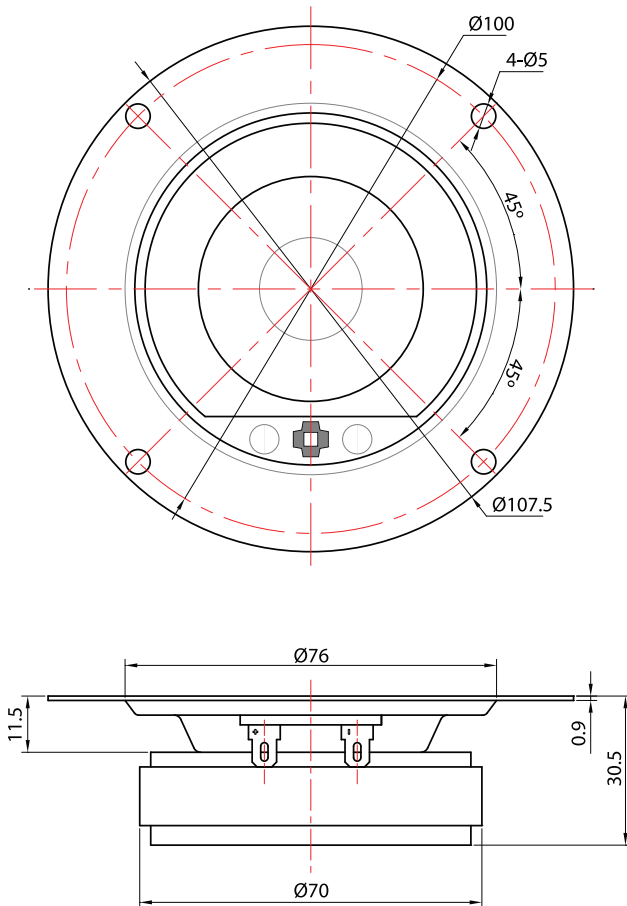
FEATURES

- Modern reproduction of the famous CTS design used by Marantz, Altec, and many others
- High efficiency and smooth response
- Restore your classic speaker system from the seventies!
- Great replacement speaker

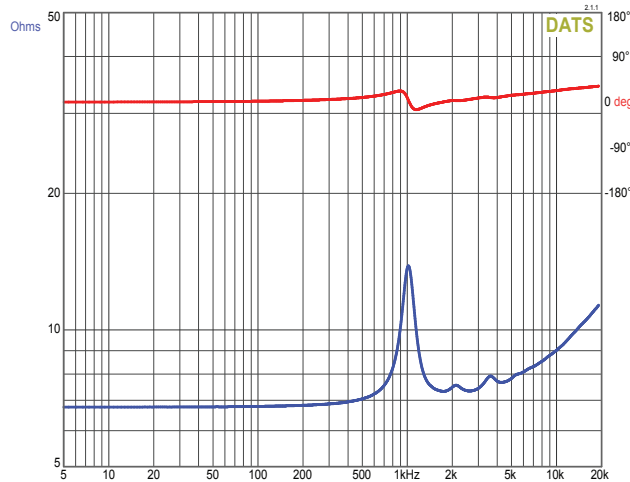
PARAMETERS

Impedance	8 ohms
Re	6.8 ohms
Le	0.1 mH
Fs	1,005 Hz
Qms	-
Qes	-
Qts	-
Mms	-
Cms	-
Sd	-
Vd	-
BL	-
Vas	-
Xmax	-
VC Diameter	19 mm
SPL	90 dB @ 2.83V/1m
RMS Power Handling (AES 426B)	30 watts
Usable Frequency Range (Hz)	2,000 - 18,500 Hz

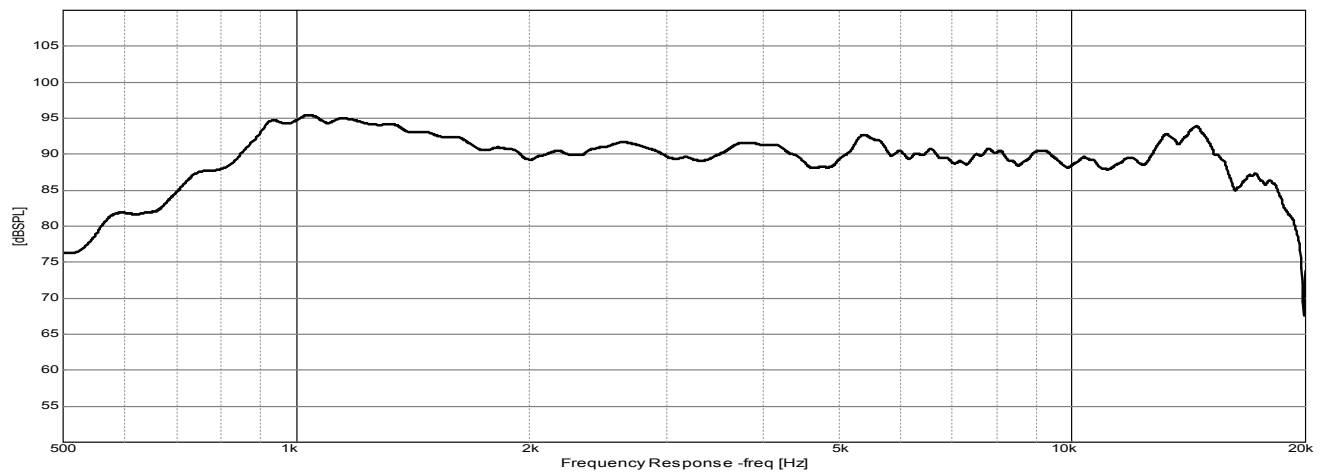
MECHANICAL DRAWING



IMPEDANCE/PHASE



FREQUENCY RESPONSE



Note: 1/24th octave smoothing - nearfield response included in graph below 450 Hz.