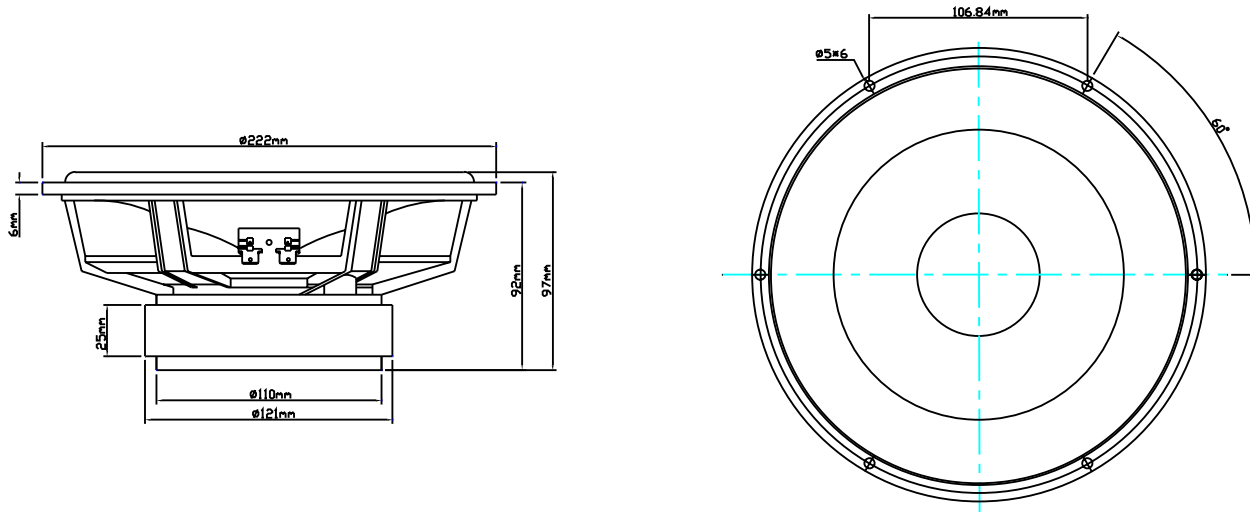


8955A



Specifications

NOMIAL IMPEDANCE	8Ω ±15% at 1.0V 1KHz
VC NOMINAL DIA	φ 42mm
LOWEST RESONANCE FREQUENCY	FO=25Hz ±3Hz at 1.0V
EFFECTIVE FREQUENCY RANGE	FO ~ 7KHz - 10dB 1M/1W
OUTPUT SOUND PRESSURE LEVEL	87dB/W/M ±3dB 200,300,400,500Hz AVE
INPUT	RATED INPUT 80W , MAXIMUM INPUT 90W
FLUX DENSITY	12K ±10% GUASS
BUZZ & RATTLE TEST	8.0V
POLARITY	POSITIVE - (LEFT) HAND TERMINAL
BAFFLE OPENING	175mm
MAGNET DIMENION / WEIGHT	145*75*22(mm)/1230g
WEIGHT	3100g
DROPPING TEST	1150mm 75° ±2°
LINEAR EXCURSION (Xmax)	6mm
EQUIVALENT AIR VOLUME (Vas)	133.2568 Litr
MECHANICAL Q (Qms)	1.999
ELECTRICAL Q (Qes)	0.376
TOTAL Q (Qts)	0.317

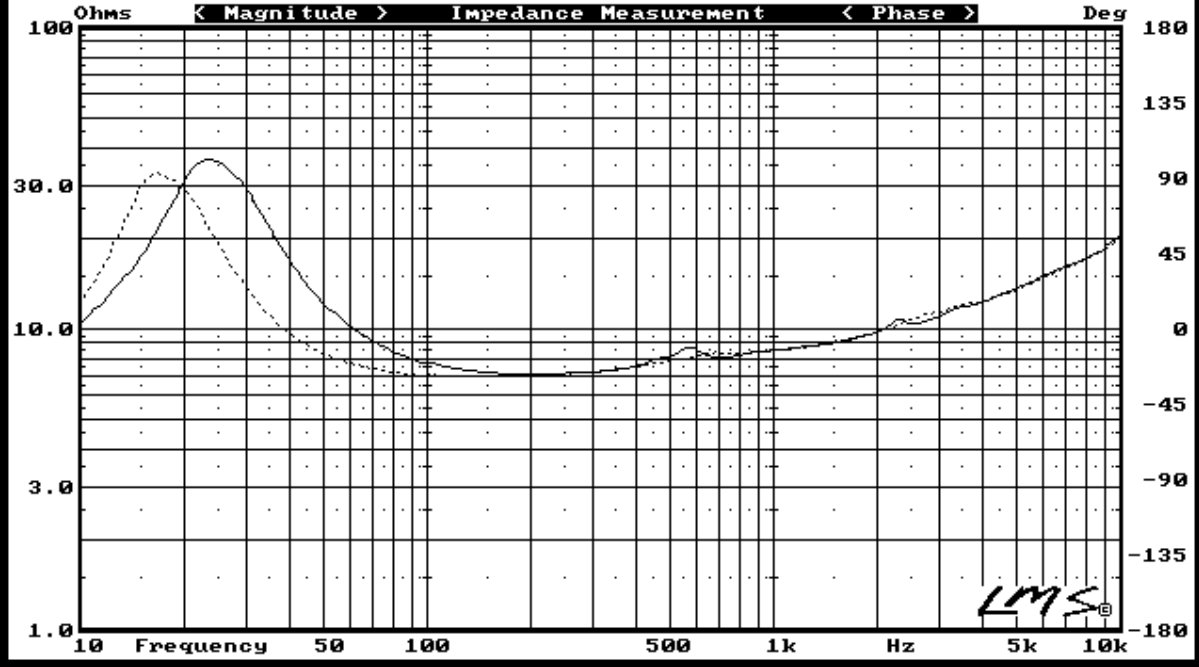
LMS

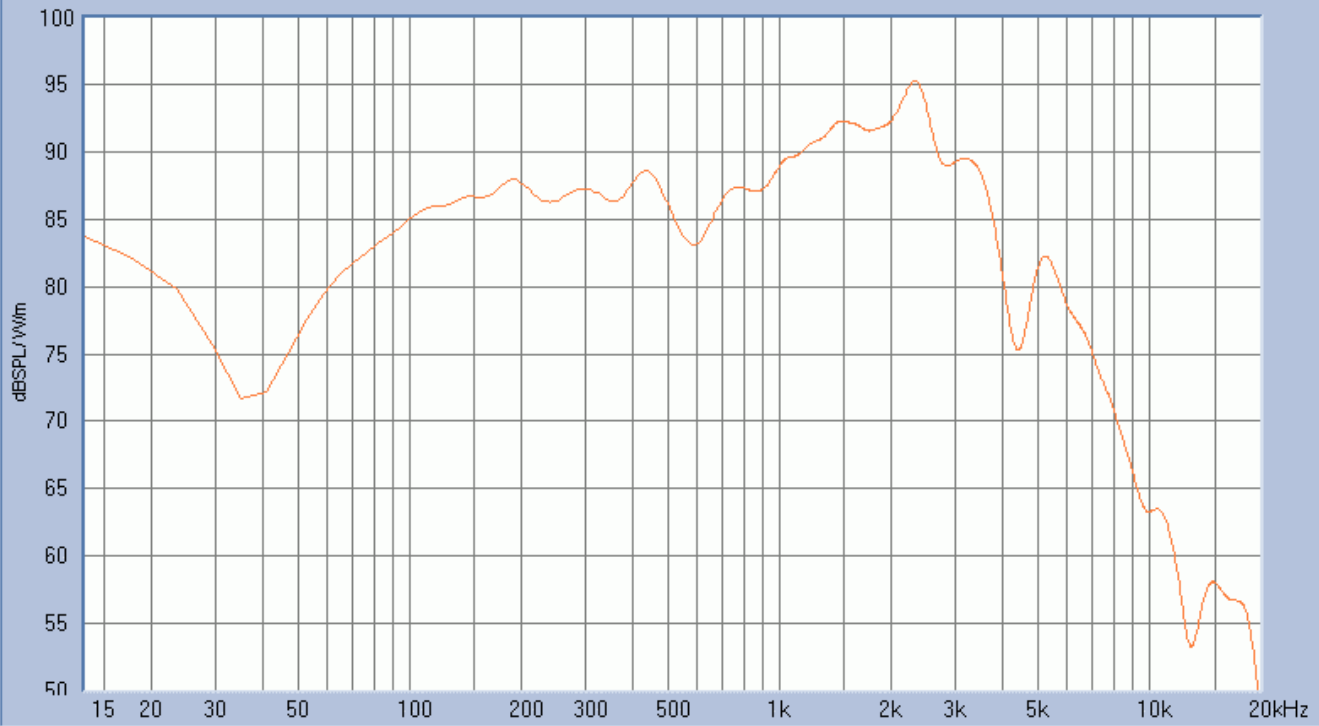
* Loudspeaker Measurement System *
V3.72, (C)1997 LinearX Systems Inc

Mar 22, 2001
Thur 2:01PM

LMS Library:
8955W11F.LIB

Curve 1 = 8955W9011F1A
Note1=
Note2=
Note3=
Note4=
Curve 2 = 8955W9011F1B
Note1=
Note2=
Note3=
Note4=



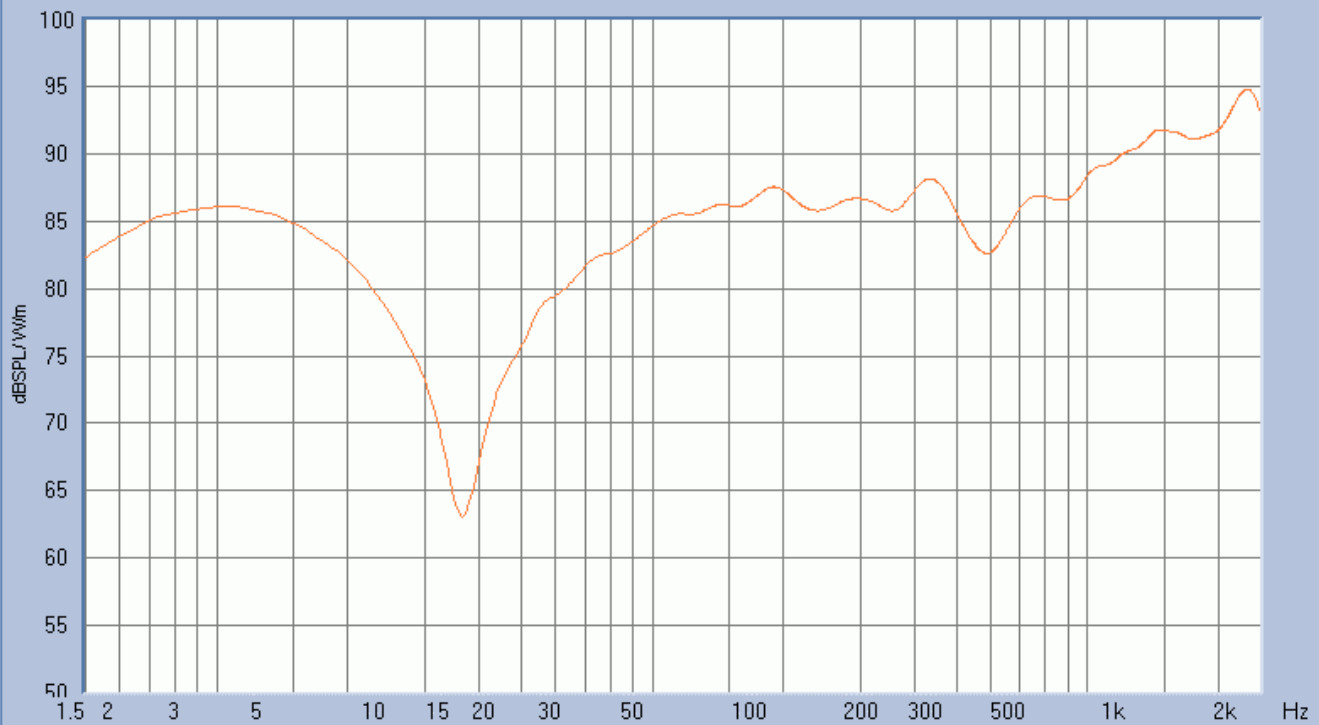


Distance Speaker - Mic.: 12.1cm, dB SPL normalised on 1 Meter, Delay: 0.4ms

Test Signal: SWEEP

In1 0.0V In2 .7Pa Out 19 dB kHz 48 Out

8955W9011F1 SN 0000 1/3/22 03:01:24



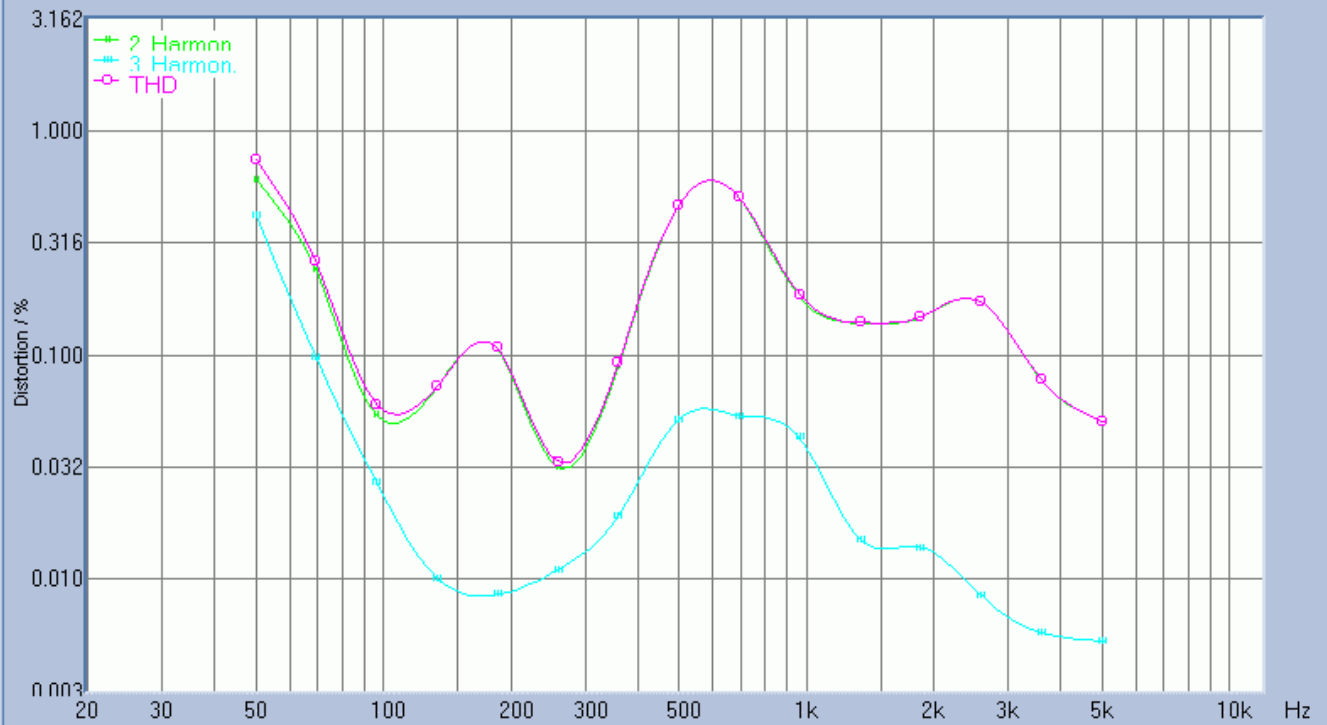
dB SPL standardized to 1 meter

Test Signal: SWEEP

In1 0.0V In2 .7Pa Out 19 dB kHz 8 Out

8955W9011F1 SN 0000 1/3/22 03:04:22

Digital Audio Analysis System



FFT-len: 16384 Pt, Averages: 1 Test freq.: 15, 50-5000 Hz
In1 0.0V In2 .7Pa Out 16 dB kHz 48 Out 8955W9011F1 SN 0000 1/3/22 03:02:39